

VALVE BOX & LID ASSEMBLY

Designed for every industry incorporating underground valve boxes, the 4N Valve Boxes and Lid Assemblies are the standalone replacement for concrete and cast iron access boxes.

FEATURES

- Manufactured from high grade engineered plastic
- Class "B" traffic loading
- Major weight advantage over concrete
- Easy installation, no concrete apron required
- Performance rating meets AS/NZS 3996 Standards
- Lids can be personalised with customer's name/logo
- Australian Made



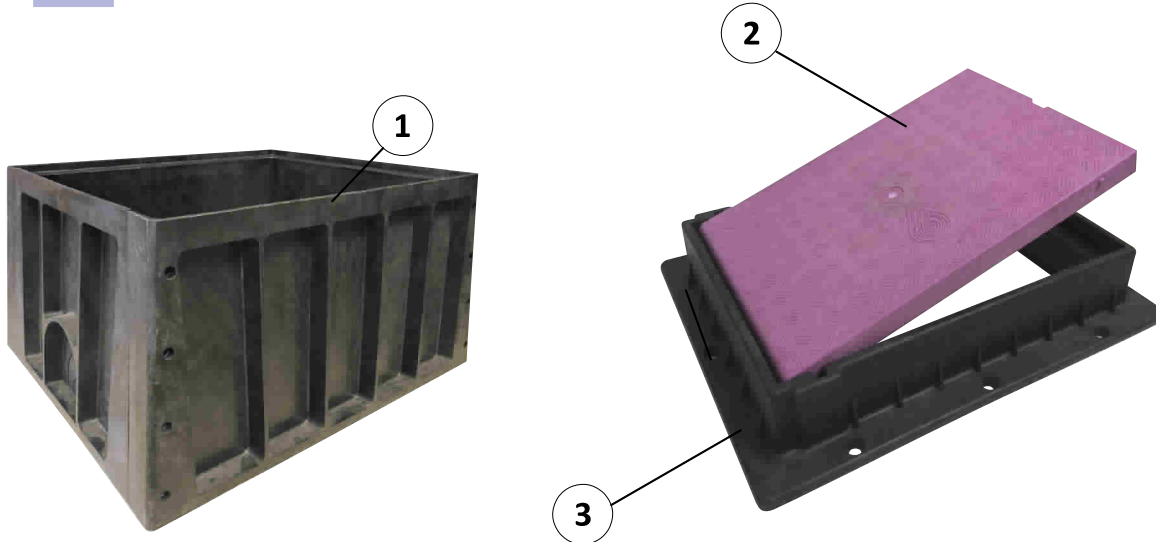
TECHNICAL DATA

Size:	619 L x 504 W x 300 H (mm)
Weight:	12kg
Nominal Wheel Loading:	"B" Class
Product Standards:	AS/NZS 3996

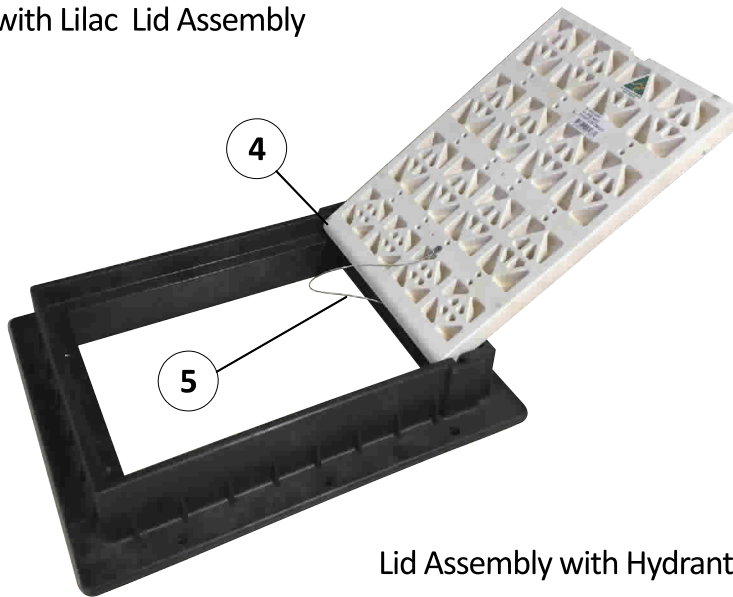
APPLICATIONS

Suitable for all residential and commercial applications including high volume traffic areas, such as driveways, footpaths, parks, ovals and golf courses.

VALVE BOX & LID ASSEMBLY



Valve Box with Lilac Lid Assembly

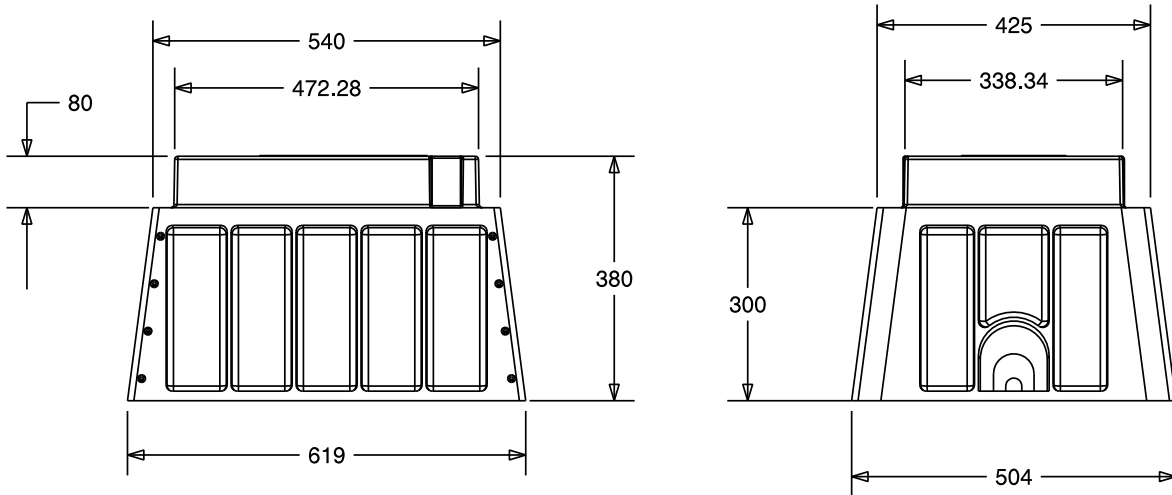


Lid Assembly with Hydrant Lid

PARTS and MATERIAL

No.	Description	Material	Quantity
1	Body	High grade engineered plastic	1
2	"B" Class trafficable lid	High grade engineered plastic	1
3	Lid surround	High grade engineered plastic	1
4	Hinge	G316 Stainless steel	1
5	Anti theft wire	G316 Stainless steel	1

VALVE BOX & LID ASSEMBLY



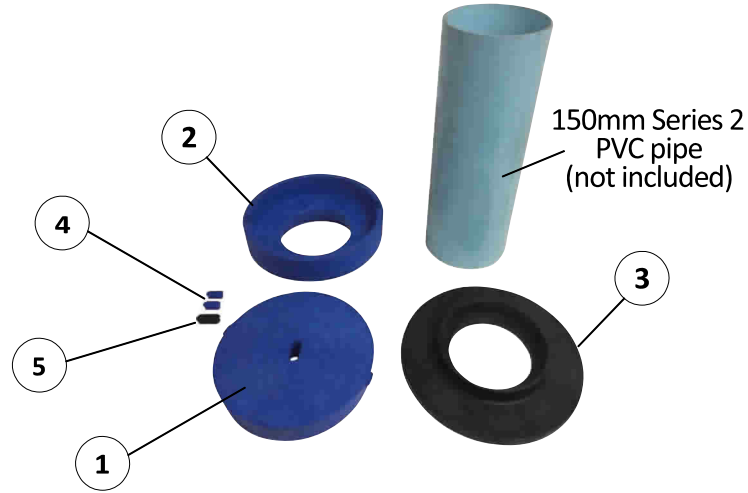
DIMENSIONS

	External Dimensions				
	Length Top	Width Top	Length Bottom	Width Bottom	Height
Valve Box	540mm	425mm	619mm	504mm	300mm
Lid Assembly	472mm	338mm	N/A	N/A	80mm

PRODUCT RANGE

Product Code	Description
W-M/VBOXLGE	WATER VALVE SERVICE BOX
W-LIDASSYLGE-BK	LID ASSEMBLY GRP TO SUIT LGE SERVICE BOX BLACK
W-LIDASSYLGE-BL	LID ASSEMBLY GRP TO SUIT LGE SERVICE BOX BLUE
W-LIDASSYLGE-G	LID ASSEMBLY GRP TO SUIT LGE SERVICE BOX GREEN/IRRIGATION
W-LIDASSYLGE-WL	LID ASSEMBLY GRP TO SUIT LGE SERVICE BOX LILAC
W-LIDASSYLGE-WTH	LID ASSEMBLY GRP TO SUIT LGE SERVICE BOX WHITE HYDRANT

ROUND SLUICE VALVE COVER



FEATURES

- Class "D" traffic loading
- Available colours - blue/lilac/orange/black
- Suits 150mm Series 2 pipe
- Complete assembly includes, black base, lid holder or surround, lid, 2 x locking caps, 1 x dust cap

PARTS and MATERIAL

No.	Description	Material	Quantity
1	Lid	High grade engineered plastic	1
2	Lid surround	High grade engineered plastic	1
3	Base	High grade engineered plastic	1
4	Locking Caps	High grade engineered plastic	2
5	Dust Cap	High grade engineered plastic	1

DIMENSIONS

Product Code	Dimensions					
	Lid Surround Diameter	Lid Surround Height	Lid Diameter	Lid Height	Base Diameter	Base Height
W-ACASSY257	290mm	102.5mm	257mm	49.3mm	313mm	42.5mm

DISCLAIMER

Information contained in this data sheet is up to date and correct as at the date of issue. As 4N Products cannot control or anticipate the conditions under which these products may be used, each user should review the information in specific context of the planned use. To the maximum extent permitted by law, 4N Products will not be responsible for damages of any nature resulting from the use or reliance upon the information contained in this data sheet. No express or implied warranties are given other than those implies mandatory by law.